

Bestline Mining Supplies Ltd, are appointed distributors of superior AIRLINE COUPLINGS - HOSE CLAMPS - HOSE AND PIPE FITTINGS. We work closely with our manufacturers in South Africa to bring you the best quality at the right price.

### GASKETS FOR CAMLOCKS

- Bruna
- Epdm
- Neopr
- Full Teflon
- Viton

Sizes:  $\frac{1}{2}$ " ,  $\frac{3}{4}$ " , 1" ,  $1\frac{1}{4}$ " ,  $1\frac{1}{2}$ " , 2 ,  $2\frac{1}{2}$ " , 3" , 4" , 5" , 6"

### CAM ARMS - PINS – RINGS FOR CAMLOCKS

Stainless Steel

- $\frac{1}{2}$ " –  $\frac{3}{4}$ "
- 1"
- $1\frac{1}{4}$ " –  $2\frac{1}{2}$ "
- 3" – 5"
- 6"

### LANYARD FOR DUST CAPS

Size	Description	Product Code
All	Safety Sling	LDC01
	Safety sling with Loose Ferrals	LDC02

### LOCKABLE CAM ARMS

PRICE & DETAILS AVAILABLE ON REQUEST

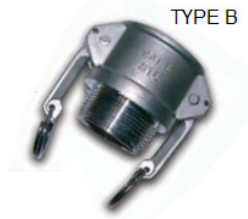
# CAMLOCK QUICK CONNECT DISCONNECT COUPLINGS

## MALE COUPLER

## MATERIAL

## FEMALE ADAPTOR

Aluminium, Brass, Stainless Steel,  
Polypropylene (Specials: Bronze, Carob Steel)



## GASKETS

Buna N (Nitrile) Viton, DPT  
Teflon (PTFE) Buna N



## SIZES

12mm - 150 N.B. (Specials: 200mm N.B.)



## ENDS

BSP Threaded or Hose-Shanked  
(Specials: Flanged, NPT - Threaded)



Interchangeable with other couplers made to the  
Same specifications.



GASKET	MAX TEMPERATURE
Buna N	110°C
Viton	180°C
Teflon	230°C
EPT	180°C



**NOTE: Polypropylene Couplings: Max 95°C**  
Certification of compliance to MIL-C-27487 may be furnished on request

## RECOMMENDED OPERATION CONDITIONS (Bar)

SIZE (mm)	12	29	25	32	38	50	62	75	100	150	200
<b>Aluminium</b>	17	17	17	17	17	17	10	9	7	5	3
<b>Brass / Bronze</b>	17	17	17	17	17	17	10	9	7	5	
<b>Stainless Steel</b>	17	17	17	17	17	17	14	14	10	5	
<b>Polypropylene</b>		17	7		7	7		4	4		

## STORZ COUPLINGS

### BLIND COUPLING (ALUMINIUM)

SIZE	DESCRIPTION	PRODUCT CODE
20mm	BLIND COUPLING- 31 LUG	SCB020
25mm	BLING COUPLING- 31 LUG	SCB025
32mm	BLIND COUPLING- 44 LUG	SCB032
40mm	BLIND COUPLING- 51 LUG	SCB040
50mm	BLIND COUPLING- 66 LUG	SCB050
65mm	BLIND COUPLING- 81 LUG	SCB065
80mm	BLIND COUPLING- 89 LUG	SCB080
100mm	BLIND COUPLING- 115 LUG	SCB115
100mm	BLIND COUPLING- 133 LUG	SCB100
125mm	BLIND COUPLING- 145 LUG	SCB125
150mm	BLIND COUPLING- 160 LUG	SCB150

### COUPLING SEALS (NITRILE RUBBER)

SIZE	DESCRIPTION	PRODUCT CODE
20mm	TO FIT 31 LUG	RWS031
25mm	TO FIT 31 LUG	RWS031
32mm	TO FIT 44 LUG	RWS044
40mm	TO FIT 51 LUG	RWS051
50mm	TO FIT 66 LUG	RWS066
65mm	TO FIT 81 LUG	RWS081
80mm	TO FIT 89 LUG	RWS089
100mm	TO FIT 115 LUG	RWS115
100mm	TO FIT 133 LUG	RWS133
125mm	TO FIT 145 LUG	RWS145
150mm	TO FIT 160 LUG	RWS160



### SPANNERS

SIZE	PRODUCT CODE
20mm	SP001
25mm	SP002
32mm	SP001
40mm	SP002
50mm	SP003
65mm	SP003
80mm	SP004
100mm	SP004



## STORZ COUPLINGS

### HOSE COUPLINGS (ALUMINIUM)

SIZE	DESCRIPTION	PRODUCT CODE
20mm	HOSE COUPLING- 31 LUG	SCH020
25mm	HOSE COUPLING- 31 LUG	SCH025
32mm	HOSE COUPLING- 44 LUG	SCH032
40mm	HOSE COUPLING- 51 LUG	SCH040
50mm	HOSE COUPLING- 66 LUG	SCH050
65mm	HOSE COUPLING- 81 LUG	SCH065
65mm	HOSE COUPLING- 89 LUG	SCH070
80mm	HOSE COUPLING- 89 LUG	SCH080
100mm	HOSE COUPLING- 115 LUG	SCH115
100mm	HOSE COUPLING- 133 LUG	SCH100
125mm	HOSE COUPLING- 145 LUG	SCH125
150mm	HOSE COUPLING- 160 LUG	SCH150
100mm	HOSE COUPLING - 133 LUG STEEL TAIL END	SCH113



### FEMALE COUPLING

SIZE	DESCRIPTION	PRODUCT CODE
20mm	FEMALE COUPLING- 31 LUG	SCF020
25mm	FEMALE COUPLING- 31 LUG	SCF025
32mm	FEMALE COUPLING- 44 LUG	SCF032
40mm	FEMALE COUPLING- 51 LUG	SCF040
50mm	FEMALE COUPLING- 66 LUG	SCF050
65mm	FEMALE COUPLING- 81 LUG	SCF065
65mm	FEMALE COUPLING- 89 LUG	SCF070
80mm	FEMALE COUPLING- 89 LUG	SCF080
100mm	FEMALE COUPLING- 115 LUG	SCF115
100mm	FEMALE COUPLING- 133 LUG	SCF100
125mm	FEMALE COUPLING- 145 LUG	SCF125
150mm	FEMALE COUPLING- 160 LUG	SCF150



## 25MM EVERFAST HOSE CONNECTION

SIZE	DESCRIPTION	PRODUCT CODE
12mm	MALE SPUD WITH GASKET	RT4452
20mm	MALE SPUD WITH GASKET	RT4447
25mm	MALE SPUD WITH GASKET	RT4445
12mm	FEMALE SPUD WITH GASKET	RT4444
20mm	FEMALE SPUD WITH GASKET	RT4453
25mm	FEMALE SPUD WITH GASKET	RT4446
10mm	HOSETAIL	RT4454
12mm	HOSETAIL	RT4450
20mm	HOSETAIL	RT4449
25mm	HOSETAIL	RT4448
25mm	FEMALE SPUD / LEFT HAND THREAD	RT4451
25mm	MALE SPUD / LEFT HAND THREAD	RT4455
	SPARE GASKET	RW4444

## 50MM EVERFAST HOSE CONNECTION

SIZE	DESCRIPTION	PRODUCT CODE
50mm	HOSETAIL	RT9001
40mm	MALE END SPUD	RT9005
50mm	MALE END SPUD	RT9002
50mm	FEMALE END SPUD	RT9003
50mm	VICTAULIC END	RT9004
	SPARE GASKET	RW8888

## 25MM HEAVY QUICK FIT HOSE CONNECTION

SIZE	DESCRIPTION	PRODUCT CODE
12mm	MALE SPUD	RT3351
20mm	MALE SPUD	RT3350
25mm	MALE SPUD	RT3345
10mm	FEMALE SPUD	RT3353
12mm	FEMALE SPUD	RT3354
20mm	FEMALE SPUD	RT3355
25mm	FEMALE SPUD	RT3352
10mm	HOSETAIL	RT3356
12mm	HOSETAIL	RT3349
20mm	HOSETAIL	RT3348
25mm	HOSETAIL	RT3347

## 50MM HEAVY QUICK FIT HOSE CONNECTION

SIZE	DESCRIPTION	PRODUCT CODE
40mm	MALE SPUD	RT9304
50mm	MALE SPUD	RT9302
50mm	FEMALE SPUD	RT9303
50mm	HOSETAIL	RT9301

## 40MM HEAVY QUICK FIT HOSE CONNECTION

SIZE	DESCRIPTION	PRODUCT CODE
32mm	HOSETAIL	RT9305
40mm	HOSETAIL	RT9306
32mm	MALE SPUD	RT9307
40mm	MALE SPUD	RT9308

## SPARE RUBBER GASKETS

SIZE	DESCRIPTION	PRODUCT CODE
25mm	SPARE GASKET	RW3333
40mm	SPARE GASKET	RW1133
50mm	SPARE GASKET	RW2222

## EUROPEAN TYPE CLAW COUPLINGS- STEEL (ZINC PLATED)

SIZE	DESCRIPTION	PRODUCT CODE
10mm	HOSETAIL	RT2004
12mm	HOSETAIL	RT2001
20mm	HOSETAIL	RT2002
25mm	HOSETAIL	RT2003



SIZE	DESCRIPTION	PRODUCT CODE
6mm	FEMALE COUPLER	RT0005
10mm	FEMALE COUPLER	RT0004
12mm	FEMALE COUPLER	RT0001
20mm	FEMALE COUPLER	RT0002
25mm	FEMALE COUPLER	RT0003



SIZE	DESCRIPTION	PRODUCT CODE
6mm	MALE COUPLER	RT1005
10mm	MALE COUPLER	RT1004
12mm	MALE COUPLER	RT1001
20mm	MALE COUPLER	RT1002
25mm	MALE COUPLER	RT1003



### SPARE RUBBER GASKET

All Sizes	Oil Resistant	RW9999
-----------	---------------	--------

## U.S TYPE CLAW COUPLINGS

### HOSETAIL – 2 CLAW

#### GALVANISED

SIZE	PRODUCT CODE
10mm	RT4001
12mm	RT4002
20mm	RT4003
25mm	RT4004

#### BRASS

SIZE	PRODUCT CODE
10mm	RT4005
12mm	RT4006
20mm	RT4007
25mm	RT4008



### FEMALE – 2 CLAW

#### GALVANISED

SIZE	PRODUCT CODE
6mm	RT4119
10mm	RT4111
12mm	RT4112
20mm	RT4113
25mm	RT4114

#### BRASS

SIZE	PRODUCT CODE
10mm	RT4115
12mm	RT4116
20mm	RT4117
25mm	RT4118



### MALE – 2 CLAW

#### GALVANISED

SIZE	PRODUCT CODE
6mm	RT4229
10mm	RT4221
12mm	RT4222
20mm	RT4223
25mm	RT4224

#### BRASS

SIZE	PRODUCT CODE
10mm	RT4225
12mm	RT4226
20mm	RT4227
25mm	RT4228





## GALVANISED

SIZE	DESCRIPTION	PRODUCT CODE
32mm	HOSETAIL- 4 CLAW	RT4331
40mm	HOSETAIL- 4 CLAW	RT4332
50mm	HOSETAIL- 4 CLAW	RT4333
32mm	FEMALE- 4 CLAW	RT4441
40mm	FEMALE- 4 CLAW	RT4442
50mm	FEMALE- 4 CLAW	RT4443
2 CLAW	SPARE GASKET	RW7777
4 CLAW	SPARE GASKET	RW6666
	BLANK END GALVANISED	RT9999
	SPARE PINS AND LANYARDS	PL001

## SANDBLAST COUPLINGS

SIZE	DESCRIPTION	PRODUCT CODE
32mm	SANDBLAST POT COUPLING	SBPC032
48mm	SANDBLAST HOSE COUPLING	SBHC048
56mm	SANDBLAST HOSE COUPLING	SBHC056
	SPARE GASKET	RW1155



## 20MM QUICKFIT COUPLING (LIGHT SERIES)

SIZE	DESCRIPTION	PRODUCT CODE
10mm	HOSETAIL	RT8801
12mm	HOSETAIL	RT8802
20mm	HOSETAIL	RT8803



1/2" BSP	MALE END SPUD WITH GASKET	RT8804
3/4" BSP	MALE END SPUD WITH GASKET	RT8805
1" BSP	MALE END SPUD WITH GASKET	RT8806



3/8" BSP	FEMALE END SPUD WITH GASKET	RT8807
1/2" BSP	FEMALE END SPUD WITH GASKET	RT8808
3/4" BSP	FEMALE END SPUD WITH GASKET	RT8809



1" BSP	BACKHEAD SPUD WITH HEXAGON GLAND NIPPLE	RT8810
3/4" BSP	BACKHEAD SPUD WITH HEXAGON GLAND NIPPLE	RT8811



	HEXAGON GLAND NIPPLE FOR 6.3mm WATER TUBE FOR USE WITH BACKHEAD SPUD	RT10746
--	---	---------

	SPARE RUBBER GASKET	RW1144
--	---------------------	--------



## 25MM SCREW TYPE HOSE CONNECTION

SIZE	DESCRIPTION	PRODUCT CODE
12mm	MALE SPUD	RT2249
20mm	MALE SPUD	RT2250
25mm	MALE SPUD	RT2245
12mm	FEMALE SPUD	RT2254
20mm	FEMALE SPUD	RT2253
25mm	FEMALE SPUD	RT2252
12mm	HOSETAIL WITH GASKET	RT2248
20mm	HOSETAIL WITH GASKET	RT2247
25mm	HOSETAIL WITH GASKET	RT2246
	WINGNUT	RT2244
	SPARE GASKET	RW5555

## 50MM SCREW TYPE HOSE CONNECTION

SIZE	DESCRIPTION	PRODUCT CODE
50mm	MALE SPUD	RT2271
50mm	FEMALE SPUD	RT2272
50mm	HOSETAIL WITH GASKET	RT2270
	WINGNUT	RT2273
	SPARE GASKET	RW1111

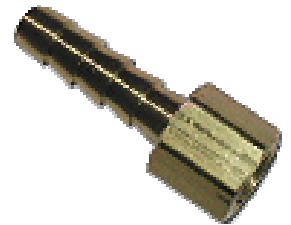
## 12MM LIGHT SCREW TYPE HOSE CONNECTION

<b>SIZE</b>	<b>DESCRIPTION</b>	<b>PRODUCT CODE</b>
10mm	MALE SPUD	RT2263
12mm	MALE SPUD	RT2264
20mm	MALE SPUD	RT2265
25mm	MALE SPUD	RT2266
10mm	FEMALE SPUD	RT2268
12mm	FEMALE SPUD	RT2267
20mm	FEMALE SPUD	RT2269
25mm	FEMALE SPUD	RT2259
10mm	HOSETAIL WITH GASKET	RT2260
12mm	HOSETAIL WITH GASKET	RT2261
20mm	MALE BACKHEAD SPUD WITH GLAND NIPPLE	RT2274
25mm	MALE BACKHEAD SPUD WITH GLAND NIPPLE	RT2275
	WINGNUT	RT2262
	SPARE GASKET	RW1122

## **BRASS FITTINGS**

### **BRASS FEMALE BARB'S**

<b>DESCRIPTION</b>	<b>PRODUCT CODE</b>
1/4" FEMALE - 6MM HOSETAIL	FB10
1/4" FEMALE - 8MM HOSETAIL	FB11
3/8" FEMALE - 10MM HOSETAIL	FB12
3/8" FEMALE - 12MM HOSETAIL	FB13
1/2" FEMALE - 10MM HOSETAIL	FB14
1/2" FEMALE - 12MM HOSETAIL	FB15



### **OXY – ACCETYLENE COUPLING CONSISTS OF NUT & HOSETAIL**

<b>DESCRIPTION</b>	<b>PRODUCT CODE</b>
3/8" FEMALE LH BSP - 8MM HOSETAIL	FB16
3/8" FEMALE RH BSP - 8MM HOSETAIL	FB17
3/8" FEMALE LH BSP - 10MM HOSETAIL	FB18
3/8" FEMALE RH BSP - 10MM HOSETAIL	FB19



### **BRASS MALE BARB'S**

<b>DESCRIPTION</b>	<b>PRODUCT CODE</b>
1/8" MALE - 6MM HOSETAIL	MB10
1/8" MALE - 8MM HOSETAIL	MB11
1/8" MALE - 10MM HOSETAIL	MB12
1/4" MALE - 6MM HOSETAIL	MB13
1/4" MALE - 8MM HOSETAIL	MB14
1/4" MALE - 10MM HOSETAIL	MB15
1/4" MALE - 13MM HOSETAIL	MB16
3/8" MALE - 6MM HOSETAIL	MB17
3/8" MALE - 8MM HOSETAIL	MB18
3/8" MALE - 10MM HOSETAIL	MB19
3/8" MALE - 13MM HOSETAIL	MB20
1/2" MALE - 10MM HOSETAIL	MB21
1/2" MALE - 13MM HOSETAIL	MB22
1/2" MALE - 8MM HOSETAIL	MB23



## BRASS HOSE JOINERS

SIZE	DESCRIPTION	PRODUCT CODE
6mm	HOSE JOINER	HJ006
8mm	HOSE JOINER	HJ008
10mm	HOSE JOINER	HJ010
12mm	HOSE JOINER	HJ012
6-8mm	HOSE JOINER	HJ068



## BRASS MALE TO MALE BUSHES

DESCRIPTION	PRODUCT CODE
1/8" MALE TO 1/8" MALE	MM10
1/4" MALE TO 1/8" MALE	MM11
1/4" MALE TO 1/4" MALE	MM12
3/8" MALE TO 3/8" MALE	MM13
3/8" MALE TO 1/4" MALE	MM14
1/2" MALE TO 1/2" MALE	MM15
1/2" MALE TO 1/4" MALE	MM16
1/2" MALE TO 3/8" MALE	MM17
1/4" MALE TO 1/4" MALE BSPP 17 HEX	MM18



## BRASS MALE PLUGS

SIZE	DESCRIPTION	PRODUCT CODE
6mm	1/8" MALE PLUG	MP006
8mm	1/4" MALE PLUG	MP008
10mm	3/8" MALE PLUG	MP010
12mm	1/2" MALE PLUG	MP012

## BRASS MALE TO FEMALE BUSHES

DESCRIPTION	PRODUCT CODE
1/4" MALE TO 1/8" FEMALE	MF10
3/8" MALE TO 1/8" FEMALE	MF11
3/8" MALE TO 1/4" FEMALE	MF12
1/2" MALE TO 1/4" FEMALE	MF13
1/2" MALE TO 3/8" FEMALE	MF14



## BRASS FEMALE TO FEMALE BUSHES

DESCRIPTION	PRODUCT CODE
1/4" FEMALE TO 1/4" FEMALE	FF10
3/8" FEMALE TO 3/8" FEMALE	FF11
1/2" FEMALE TO 1/2" FEMALE	FF12

## HEAVY DUTY HOSE CLAMP- 2 BOLT CAST STEEL

SIZE	DESCRIPTION	PRODUCT CODE
12mm	HEAVY DUTY HOSE CLAMP	RT5001
20mm	HEAVY DUTY HOSE CLAMP	RT5002
25mm	HEAVY DUTY HOSE CLAMP	RT5003
25mm	HEAVY DUTY HOSE CLAMP WITH LUG	RT5006
32mm	HEAVY DUTY HOSE CLAMP WITH LUG	RT5007
40mm	HEAVY DUTY HOSE CLAMP WITH LUG	RT5005
50mm	HEAVY DUTY HOSE CLAMP WITH LUG	RT5004
80mm	3 PIECE CLAMP WITH LUG	RT5008



## HEAVY DUTY HEXAGON HOSE NIPPLES

SIZE	DESCRIPTION	PRODUCT CODE
1/2" BSP THREAD	HEXAGON NIPPLE	RT3131
3/4" BSP THREAD	HEXAGON NIPPLE	RT3132
1" BSP THREAD	HEXAGON NIPPLE	RT3133
1 1/4" BSP THREAD	HEXAGON NIPPLE	RT3134
1 1/2" BSP THREAD	HEXAGON NIPPLE	RT3135
2" BSP THREAD	HEXAGON NIPPLE	RT3136
2 1/2" BSP THREAD	HEXAGON NIPPLE	RT3137
3" BSP	HEXAGON NIPPLE	RT3138

## WIRE HOSE CLAMPS

SIZE	DESCRIPTION	PRODUCT CODE
10mm	2 WIRE CLAMP	WHC010
12mm	2 WIRE CLAMP	WHC012
20mm	2 WIRE CLAMP	WHC020
25mm	2 WIRE CLAMP	WHC025



## SL CLAMPS- 2 BOLT (CAST STEEL TYPE)

DESCRIPTION	PRODUCT CODE
TO FIT HOSE 17-22	SL22
TO FIT HOSE 22-29	SL29
TO FIT HOSE 28 -34	SL34
TO FIT HOSE 32-40	SL40
TO FIT HOSE 39-49	SL49
TO FIT HOSE 48-60	SL60
TO FIT HOSE 60-79	SL76
TOFIT HOSE 77-94	SL94
TO FIT HOSE 94-115	SL115
TO FIT HOSE 89-101	SL400
TO FIT HOSE 103-113	SL463
TO FIT HOSE 113-127	SL525
TO FIT HOSE 127-140	SL550
TO FIT HOSE 135-155	SL600
TO FIT HOSE 155-175	SL675
TO FIT HOSE 175- 195	SL769
TO FIT HOSE 195-208	SL818
TO FIT HOSE 210-225	SL875
TO FIT HOSE 227-250	SL988
TO FIT HOSE 252-289	SL1125
TO FIT HOSE 284-330	SL1275



## HEAVY DUTY CAST STEEL CLAMPS

SIZE	DESCRIPTION	PRODUCT CODE
12mm	H/D HOSE CLAMP WITH LUG (2 BOLT)	HC012
20mm	H/D HOSE CLAMP WITH LUG (2 BOLT)	HC020
25mm	H/D HOSE CLAMP WITH LUG (2 BOLT)	HC025



## BACKHEAD HOSE NIPPLES

SIZE	DESCRIPTION	PRODUCT CODE
20mm	BSPT MALE WITH 10mm HOSETAIL	RT10742
20mm	BSPT MALE WITH 12mm HOSETAIL	RT10743
25mm	BSPT MALE WITH 10mm HOSETAIL	RT10744
25mm	BSPT MALE WITH 12mm HOSETAIL	RT10745
	HEX GLAND NIPPLE FOR 6mm WATER TUBE	RT10746

## HOSE GRIPS

SIZE	DESCRIPTION	PRODUCT CODE
12mm	HOSE GRIP - OPEN TYPE	RT10747
12mm	HOSE GRIP - CLOSED TYPE	RT10748



## AIR WHISTLES

SIZE	DESCRIPTION	PRODUCT CODE
25mm	AIR WHISTLE- STANDARD TYPE	AWS025
25mm	AIR WHISTLE - MOUNTED TYPE	AWM025

## PIPE LATERALS

SIZE	DESCRIPTION	PRODUCT CODE
12mm	SERRATED INLET X 12mm SERRATED OUTLET X 12mm SERRATED BRANCH	RT1121
25mm	SERRATED INLET X 25mm SERRATED OUTLET X 10mm SERRATED BRANCH	RT1122
25mm	SERRATED INLET X 25mm SERRATED OUTLET X 12mm SERRATED BRANCH	RT1123
25mm	BSP MALE INLET X 25mm SERRATED OUTLET X 10mm SERRATED BRANCH	RT1124
25mm	BSP MALE INLET X 25mm SERRATED OUTLET X 12mm SERRATED BRANCH	RT1125
20mm	BSP MALE INLET X 25mm SERRATED OUTLET X 10mm SERRATED BRANCH	RT1126
20mm	BSP MALE INLET X 25mm SERRATED OUTLET X 12mm SERRATED BRANCH	RT1127
25mm	BSP MALE INLET X 32mm SERRATED OUTLET X 10mm SERRATED BRANCH	RT1128
25mm	BSP MALE INLET X 32mm SERRATED OUTLET X 12mm SERRATED BRANCH	RT1129
25mm	BSP MALE INLET X 20mm MALE OUTLET X 12mm SERRATED BRANCH	RT1130

Please note- Any configuration can be manufactured.

Should you have any queries regarding this matter, please do not hesitate to contact us.

## HOSE MENDERS PVC

SIZE	PRODUCT CODE
10mm	PHM010
12mm	PHM012
20mm	PHM020
25mm	PHM025

## HOSE MENDERS- LIGHT DUTY

SIZE	PRODUCT CODE
12mm	RTL012
20mm	RTL020
25mm	RTL025

## HOSE MENDERS- MEDIUM DUTY

GALVANISED		S/STEEL
PROUCT CODE	SIZE	PRODUCT CODE
RT7012	12mm	RTS7012
RT7016	16mm	RTS7016
RT7020	20mm	RTS7020
RT025	25mm	RTS7025
RT7032	32mm	RTS7032
RT7038	38mm	RTS7038
RT7042	42mm	RTS7042
RT050	50mm	RTS7050
RT7065	65mm	RTS7065
RT7080	80mm	RTS7080
RT7100	100mm	RTS7100
RT7125	125mm	RTS7125
RT7150	150mm	RTS7150
RT7200	200mm	RTS7200
RT7300	300mm	RTS7300



## EVERFAST HOSE MENDER WITH SAFETY COLLAR

SIZE	PRODUCT CODE
25mm	RT7004
32mm	RT7003
40mm	RT7002 cast
40mm	RT72002 tube
50mm	RT7001 cast
50mm	RT7011 tube
80mm	RT7005

# SWAGE NIPPLES



<b>GALVANISED</b>		<b>STAINLESS STEEL</b>
<b>PRODUCT CODE</b>	<b>SIZE</b>	<b>PRODUCT CODE</b>
RT8012	12mm	RT9012
RT8020	20mm	RT9020
RT8025	25mm	RT9025
RT8032	32mm	RT9032
RT8040	40mm	RT9040
RT8050	50mm	RT9050
RT8065	65mm	RT9065
RT8080	80mm	RT9080
RT8100	100mm	RT9100
RT8125	125mm	RT9125
RT8150	150mm	RT9150
RT8200	200mm	RT9200



<b>UNTHREADED</b>	
<b>SIZE</b>	<b>PRODUCT CODE</b>
12mm	RTU8012
20mm	RTU8020
25mm	RTU8025
32mm	RTU8032
40mm	RTU8040
50mm	RTU8050
65mm	RTU8065
80mm	RTU8080
100mm	RTU8100
125mm	RTU8125
150mm	RTU8150
200mm	RTU8200
250mm	RTU8250



## HOLD TIGHT HOSE NIPPLES

SIZE	DESCRIPTION	PRODUCT CODE
25mm	HOSE x1" BSP MALE THREAD WITH SAFETY COLLAR	RT6025
32mm	HOSE x1 1/4" BSP MALE THREAD WITH SAFETY COLLAR	RT6032
40mm	HOSE x1 1/2" BSP MALE THREAD WITH SAFETY COLLAR	RT6040
50mm	HOSE x2" BSP MALE THREAD WITH SAFETY COLLAR	RT6050
80mm	HOSE x3" BSP MALE THREAD WITH SAFETY COLLAR	RT6080
50mm	HOSE WITH VICTAULIC END AND SAFETY COLLAR	RT6090
40mm	HOSE x1 1/2" BSP MALE THREAD WITH SAFETY COLLAR	RT6041
50mm	HOSE x2" BSP MALE THREAD WITH SAFETY COLLAR- PIPE	RT6051
50mm	HOSE WITH 48mm VICTAULIC END AND SAFETY COLLAR	RT6052
48mm	VICTAULIC END WITH 1" BSP THEAD	RT1261
25mm	HOSE x1" BSP MALE THREAD HEXAGON HOSE NIPPLE	RT6026
10mm	HOSE x1" BSP MALE THREAD HEXAGON HOSE NIPPLE	RT6027
12mm	HOSE x1/4" BSP MALE THREAD HEXAGON HOSE NIPPLE	RT6028
12mm	HOSE x3/4" BSP MALE THREAD HEXAGON HOSE NIPPLE	RT6029
10mm	HOSE x1/2" BSP MALE THREAD HEXAGON HOSE NIPPLE	RT6030
12mm	HOSE x1/2" BSP MALE THREAD x1/2" HEXAGON HOSE NIPPLE	RT6031

## SWAGE NIPPLES – SHOULDER END - GALVANISED

SIZE	DESCRIPTION	PRODUCT CODE
50mm	SHOULDER END	SNV050
65mm	SHOULDER END	SNV065
80mm	SHOULDER END	SNV080
100mm	SHOULDER END	SNV100
150mm	SHOULDER END	SNV150
200mm	SHOULDER END	SNV200

## SWAGE NIPPLES – TABLE D FLANGE - GALVANISED

SIZE	DESCRIPTION	PRODUCT CODE
50mm	TABLE D FLANGE	SNF6050
65mm	TABLE D FLANGE	SNF6065
80mm	TABLE D FLANGE	SNF6080
100mm	TABLE D FLANGE	SNF6100
150mm	TABLE D FLANGE	SNF6150
200mm	TABLE D FLANGE	SNF6200
250mm	TABLE D FLANGE	SNF6250

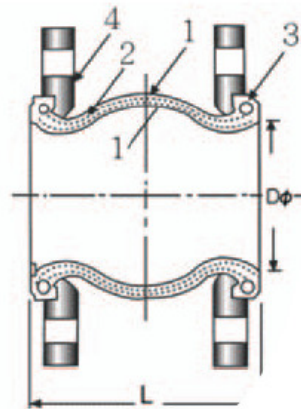
## HOSETAIL EXTENSION

SIZE	DESCRIPTION	PRODUCT CODE
100mm	S/S EXT HOSETAIL X 100mm LONG	RT9900



## EXPANSION JOINTS

### RUBBER



### STRUCTURE

ITEM NO	PART	MATERIAL
1	Body	CR, EPDM, IIR, NBR, CSM, VITON
2	Reinforcement	Nylon Cord Fabric
3	Wire	Hard Steel Wire
4	Floating Flange	Mild Steel Zinc Plated

Flange drilling: ANSI B 16.5, DIN 2501, JIS B2210, BS 4504, AS 2129, etc.

### Operating Conditions

1" to 12" Burst Pressure: 60 Bar, working pressure: 16 Bar

14" to 24" Burst Pressure: 40 Bar, working pressure: 10 Bar

### STAINLESS STEEL

Stainless steel expansion bellow

**Size range: 25mm - 600mm**

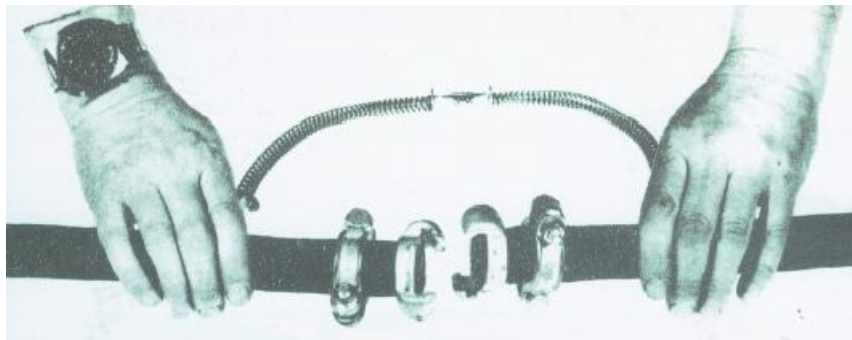
Specific lengths are manufactured to order



## WHIPCHECK – SAFETY SLINGS

- To help prevent accidents or injury resulting from hose or coupling failure.

CABLE	TO FIT HOSE SIZE	PRODUCT CODE
3mm	12mm to 32mm x 300 long	RT20
3mm	12mm to 32mm x 300 long	RT25
4mm	40mm to 75mm	RT50
4mm	45mm to 120mm	RT70
6mm	40mm to 75mm	RT60



### **A POSITIVE SAFE - GUARD FOR HOSE CONNECTIONS**

These strong steel cables prevent hose whip in case of accidental separation of coupling or clamp device. 'Whipcheck' reaches across the hose fittings to provide stand-by safety for hose. Spring loaded loops in cable ends open easily to pass over the couplings for firm grip on hose as shown.

**'THOROUGHLY TESTED WITH YEARS OF SERVICE'**



# HOSE CLAMPS

Dixon "Boss" Clamps



**BOSS CLAMP 2-BOLT TYPE**

HOSE I.D SIZE	HOSE O.D (mm)		MATERIAL	TORQUE	PART NO:
$\frac{1}{4}$ "	14.0	17.0	PLATED MALLEBLE IRON	6	BD
$\frac{3}{4}$ "	17.5	22.0	PLATED MALLEBLE IRON	6	CD
$\frac{1}{2}$ "	20.5	24.0	PLATED MALLEBLE IRON	6	DD
$\frac{1}{2}$ "	24.0	27.0	PLATED MALLEBLE IRON	12	B4
$\frac{3}{4}$ "	27.0	30.0	PLATED MALLEBLE IRON	12	B5
$\frac{3}{4}$ "	29.5	32.5	PLATED MALLEBLE IRON	21	BU95
$\frac{3}{4}$ "	33.0	38.0	PLATED MALLEBLE IRON	21	B9
$\frac{3}{4}$ "	38.0	43.0	PLATED MALLEBLE IRON	21	B10
$\frac{1}{2}$ "	24.0	27.0	BRASS	12	BB4
$\frac{3}{4}$ "	30.0	33.0	BRASS	21	BBU9
$\frac{3}{4}$ "	33.0	38.0	BRASS	21	BB9
$\frac{1}{2}$ "	24.0	27.0	S/STEEL	12	RB4
$\frac{3}{4}$ "	30.0	33.0	S/STEEL	21	RBU9
$\frac{3}{4}$ "	33.0	38.0	S/STEEL	21	RB9

# HOSE CLAMPS

Dixon "Boss" Clamps

HOSE I.D SIZE	HOSE O.D (mm)		MATERIAL	TORQUE	PART NO:
½"	23.0	26.0	PLATED MALLEBLE IRON	6	968
1"	35.5	40.0	PLATED MALLEBLE IRON	21	156*
1"	39.0	43.5	PLATED MALLEBLE IRON	21	Bu14
1"	43.0	49.0	PLATED MALLEBLE IRON	21	B14
1"	49.0	54.0	PLATED MALLEBLE IRON	21	B15
1 & ¼"	38.0	45.5	PLATED MALLEBLE IRON	40	BU18
1 & ¼"	43.0	47.5	PLATED MALLEBLE IRON	21	187*
1 & ¼"	45.5	53.0	PLATED MALLEBLE IRON	40	BU19
1 & ¼"	47.5	52.5	PLATED MALLEBLE IRON	21	206*
1 & ¼"	54.0	60.0	PLATED MALLEBLE IRON	40	B19
1 & ½"	46.0	51.0	PLATED MALLEBLE IRON	40	BU22
1 & ½"	51.0	56.0	PLATED MALLEBLE IRON	40	B22
1 & ½"	51.0	54.0	PLATED MALLEBLE IRON	21	212*
1 & ½"	52.5	57.0	PLATED MALLEBLE IRON	40	225*
1 & ½"	55.5	60.0	PLATED MALLEBLE IRON	40	BU24
1 & ½"	60.0	65.0	PLATED MALLEBLE IRON	40	B24
1 & ½"	65.0	70.0	PLATED MALLEBLE IRON	40	B25
2"	57.0	63.5	PLATED MALLEBLE IRON	40	250*
2"	59.5	64.5	PLATED MALLEBLE IRON	60	BU28
2"	63.5	70.0	PLATED MALLEBLE IRON	40	275
2"	63.5	71.0	PLATED MALLEBLE IRON	60	BU29
2"	70.0	78.0	PLATED MALLEBLE IRON	60	B29
2"	70.0	78.0	PLATED MALLEBLE IRON	60	306*
2"	78.5	87.5	PLATED MALLEBLE IRON	60	B30
2 & ½"	78.0	89.0	PLATED MALLEBLE IRON	60	350*
2 & ½"	78.5	87.5	PLATED MALLEBLE IRON	60	BU34
2 & ½"	89.0	100.0	PLATED MALLEBLE IRON	150	B34
3"	89.0	95.0	PLATED MALLEBLE IRON	60	375*
3"	89.0	100.0	PLATED MALLEBLE IRON	150	BU35
3"	95.0	101.5	PLATED MALLEBLE IRON	150	401*
3"	96.5	103.0	PLATED MALLEBLE IRON	150	B35
3"	101.5	106.5	PLATED MALLEBLE IRON	200	418*
3"	103.0	113.0	PLATED MALLEBLE IRON	200	B39
3"	106.5	114.0	PLATED MALLEBLE IRON	200	450*
1"	39.0	43.5	BRASS	21	BBU14
1"	43.0	49.0	BRASS	21	BB14
1 & ¼"	54.0	60.0	BRASS	40	BB19
1 & ½"	55.5	60.0	BRASS	40	BBU24
1 & 1.2"	60.0	65.0	BRASS	40	BB24
2"	63.5	71.0	BRASS	60	BBU29
2"	70.0	78.0	BRASS	60	BB29

## HOSE CLAMPS

Dixon "Boss" Clamps

HOSE I.D SIZE	HOSE O.D (mm)		MATERIAL	TORQUE	PART NO:
1"	39.0	43.5	S/STEEL	21	RBU14
1"	43.0	49.0	S/STEEL	21	RB14
1 & ¼"	54.0	60.0	S/STEEL	40	RB19
1 & ½"	55.5	60.0	S/STEEL	40	RBU24
1 & ¾"	60.0	65.0	S/STEEL	40	RB24
2"	63.5	71.0	S/STEEL	60	RBU29
2"	70.0	78.0	S/STEEL	60	RB29



"BOSS" CLAMPS - 4 BOLT TYPE



"BOSS" CLAMPS - 4 BOLT TYPE