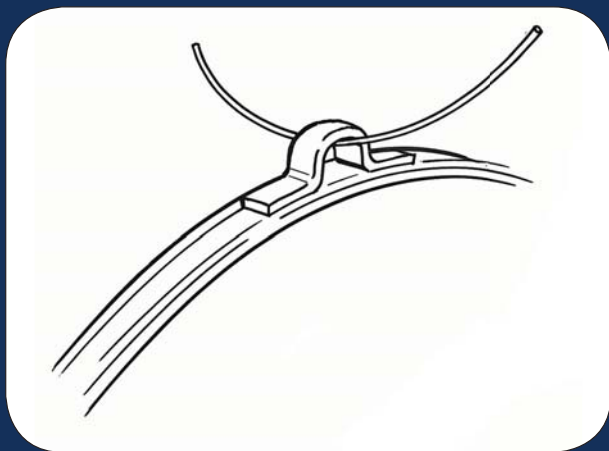
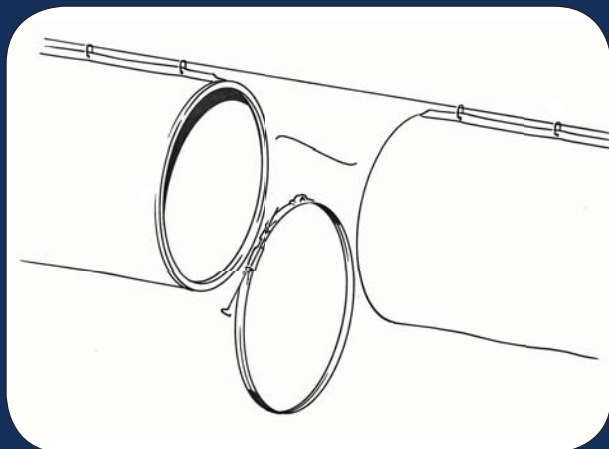
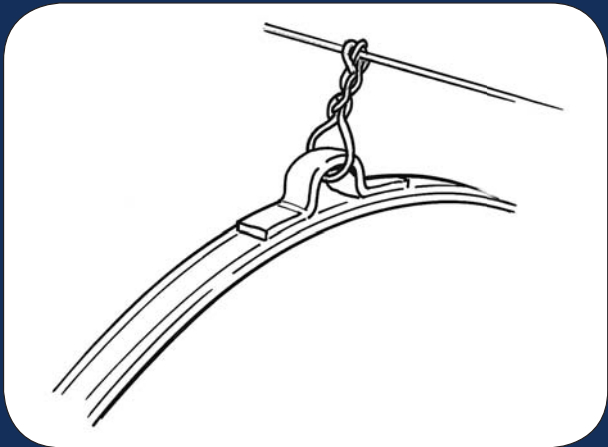
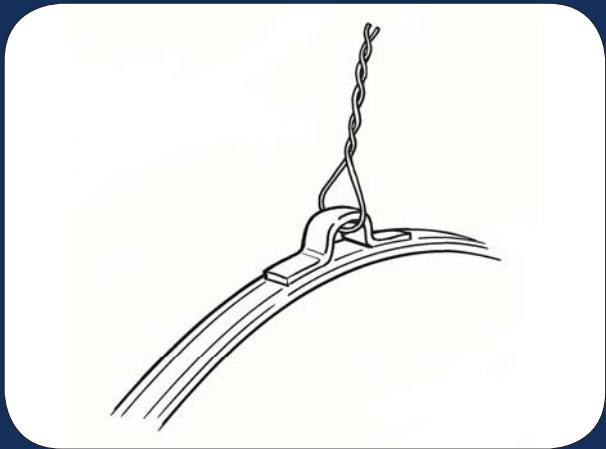


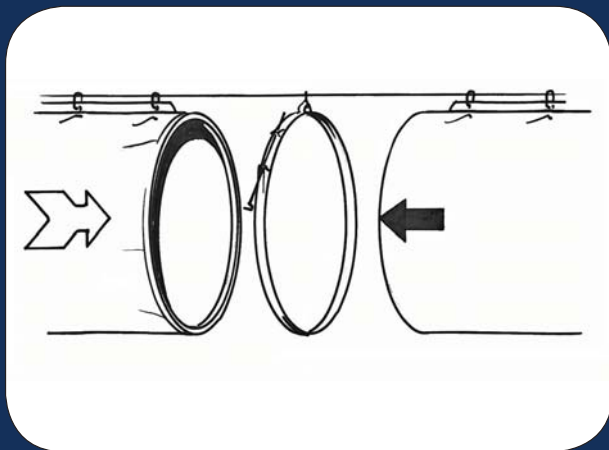
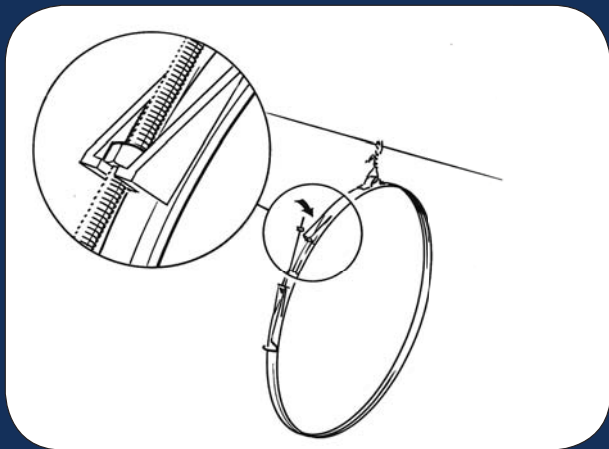


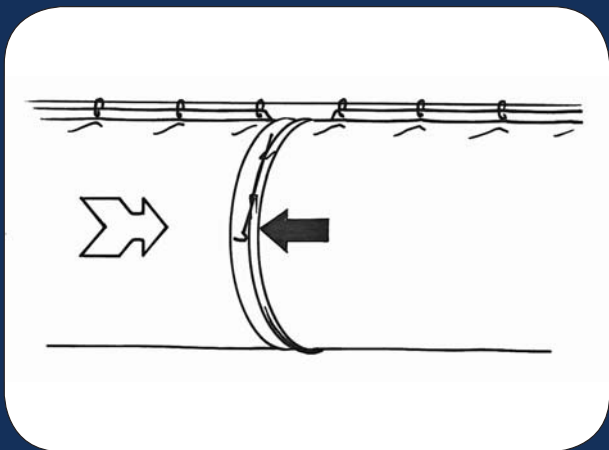
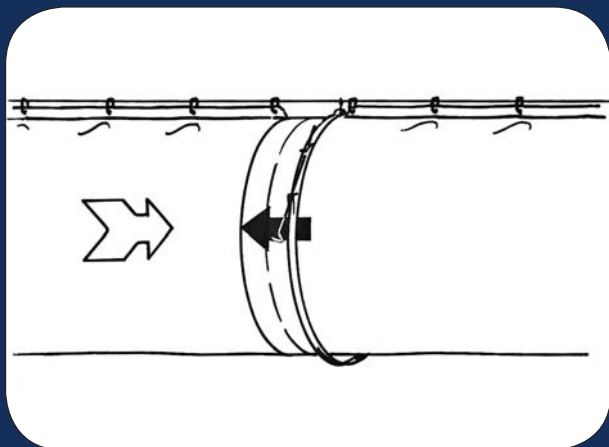
Ventiflex
User Manual

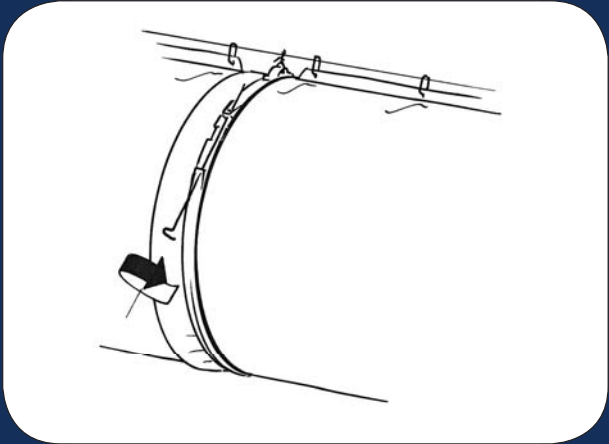
Steel Coupling

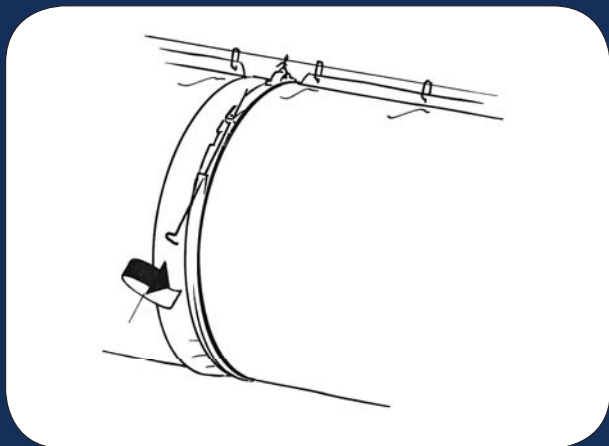




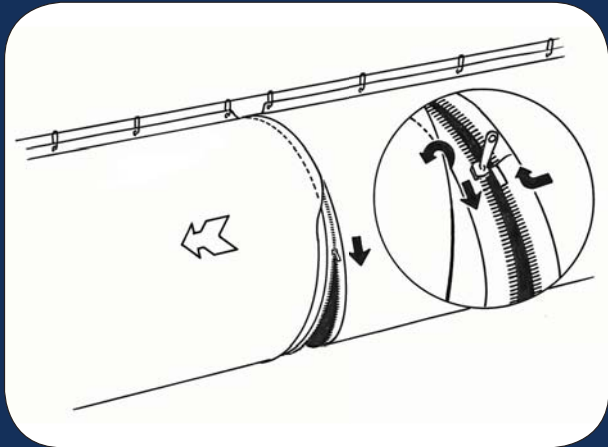




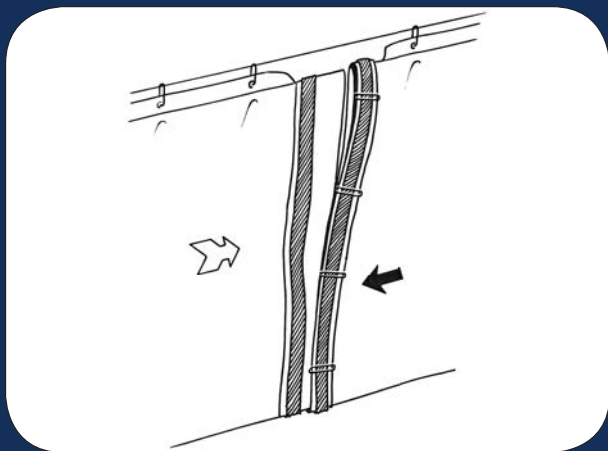
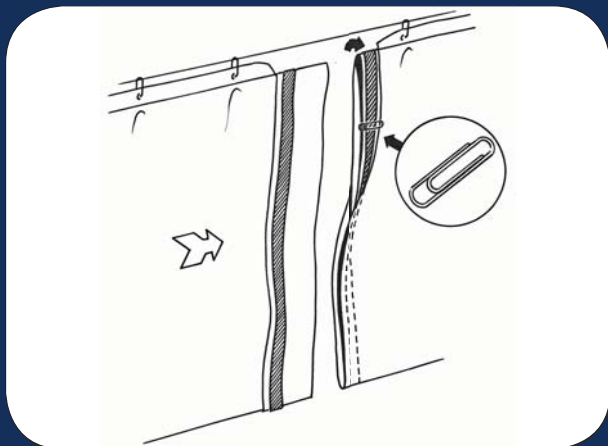


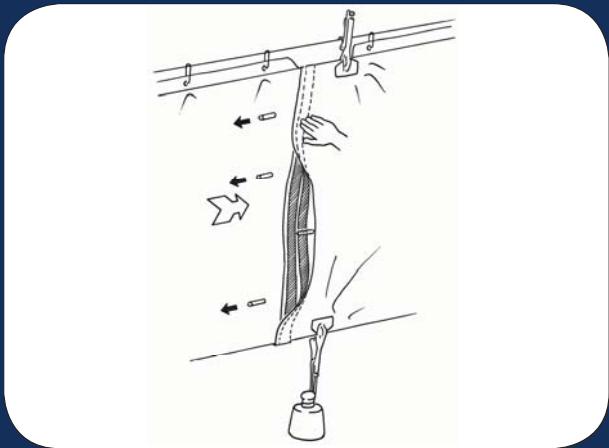
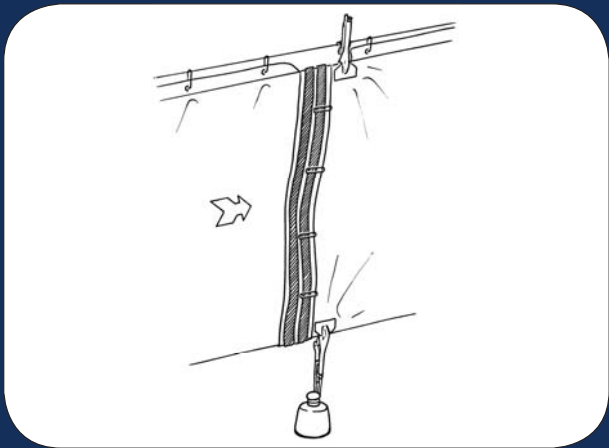


Zip Coupling

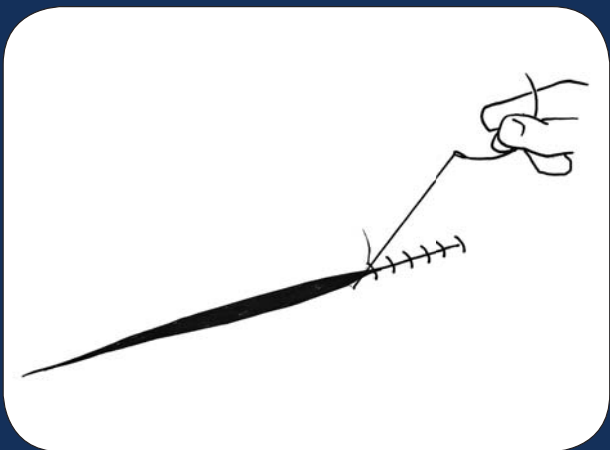
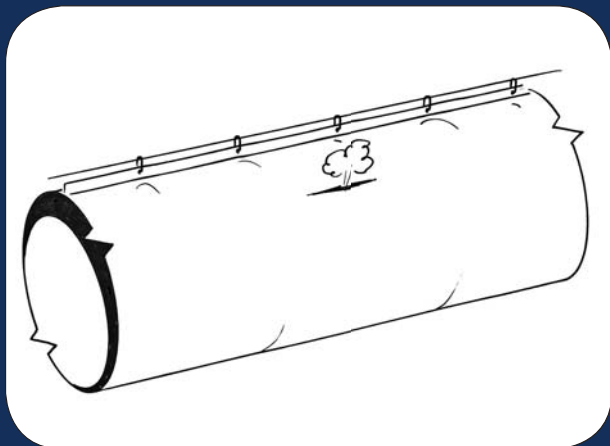


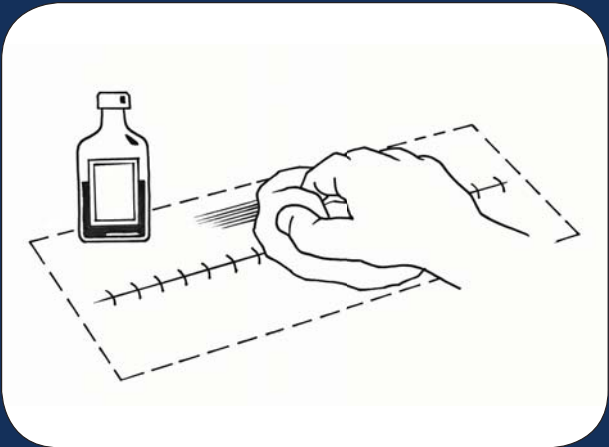
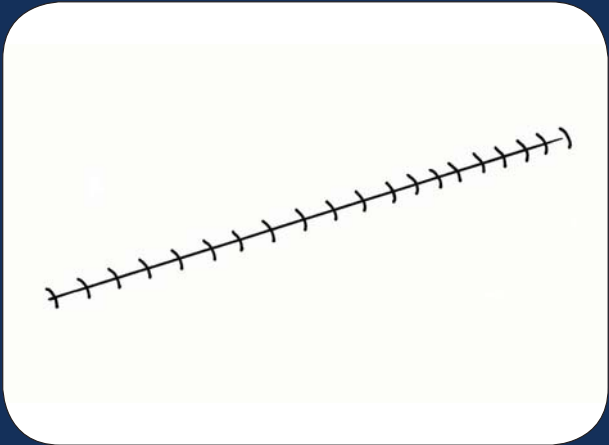
Velcro Coupling

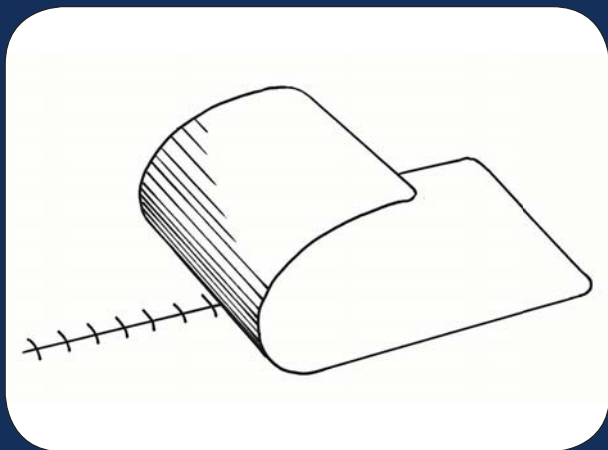
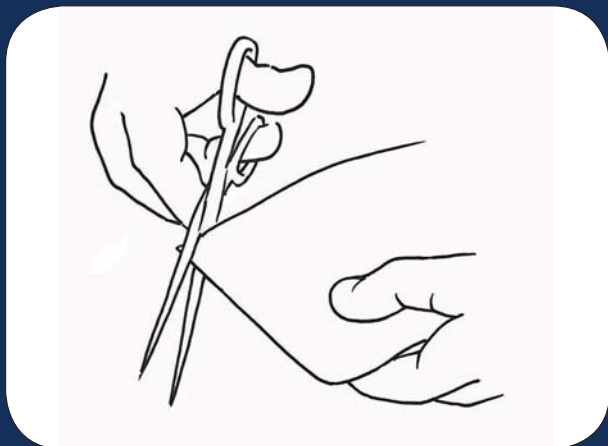


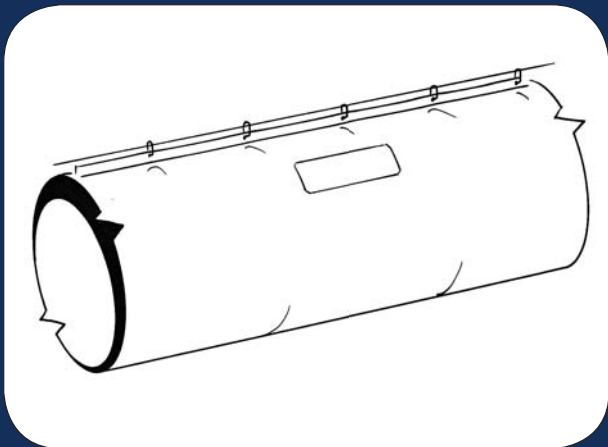
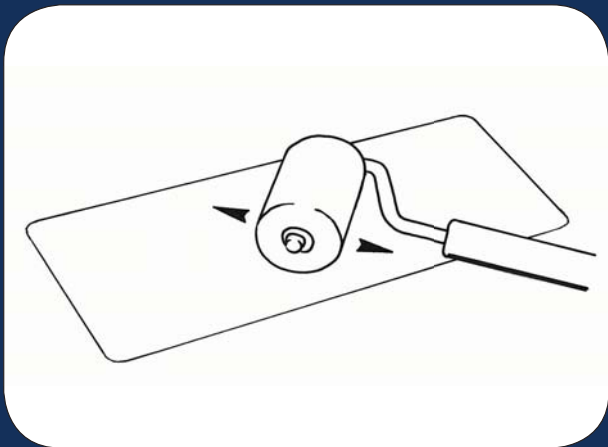


Repair with adhesive

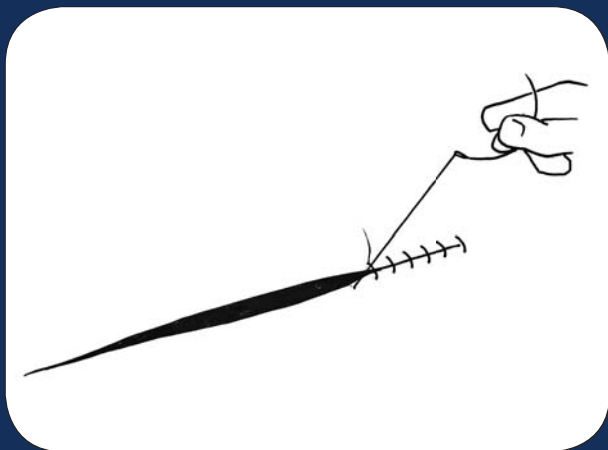
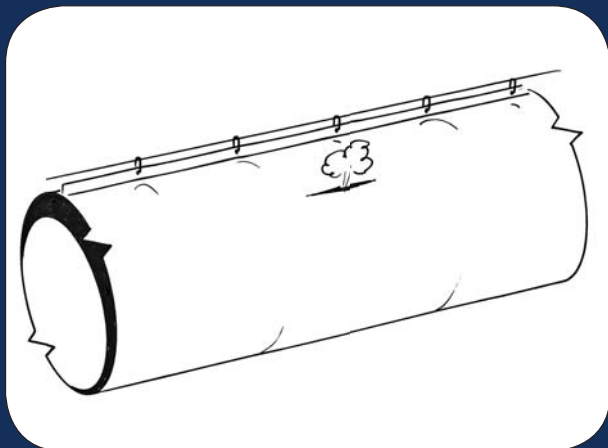


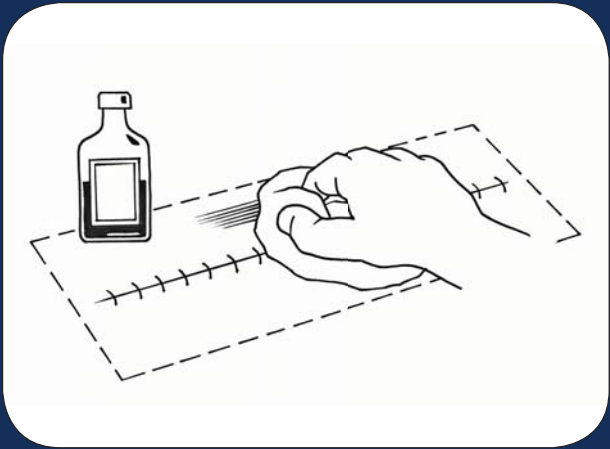
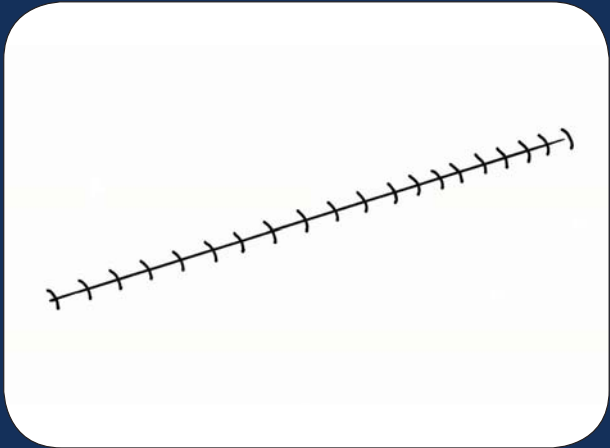


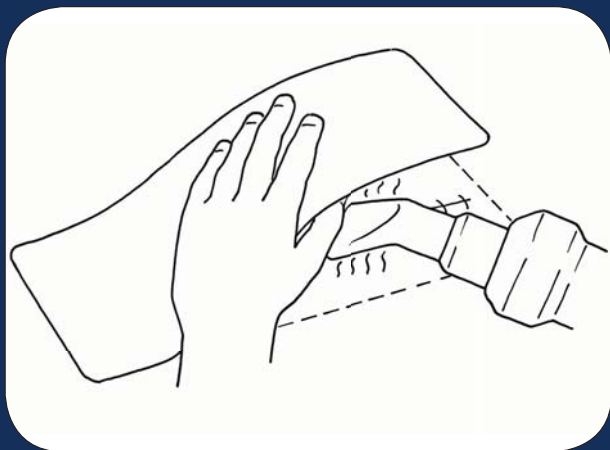
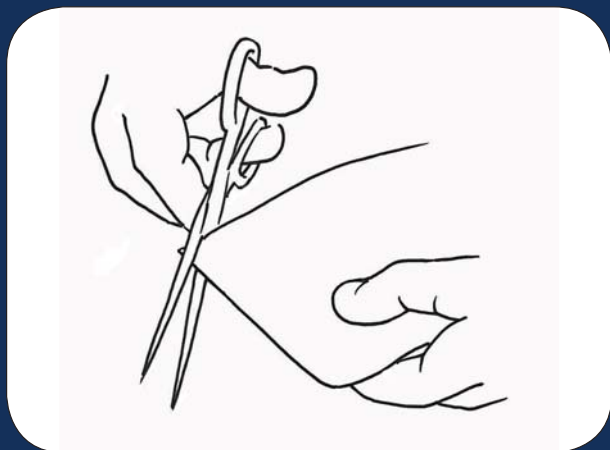


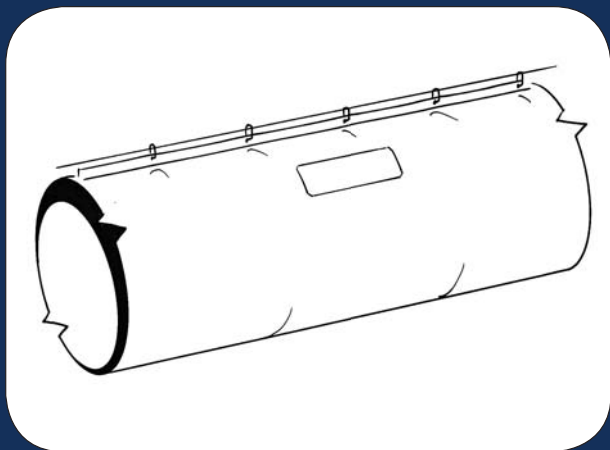
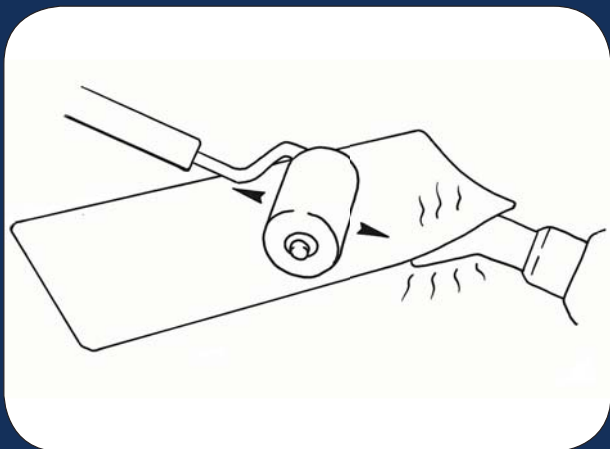


Repair with hand welder

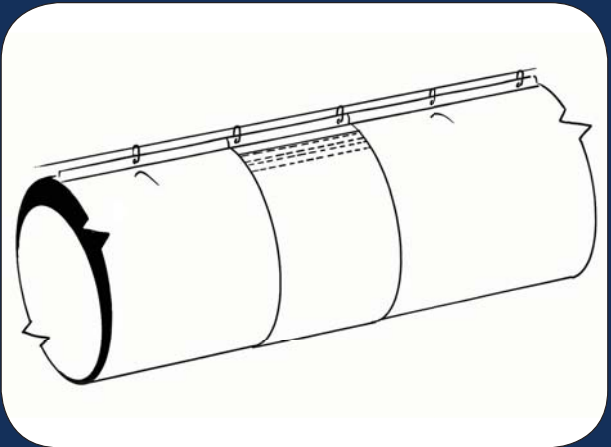
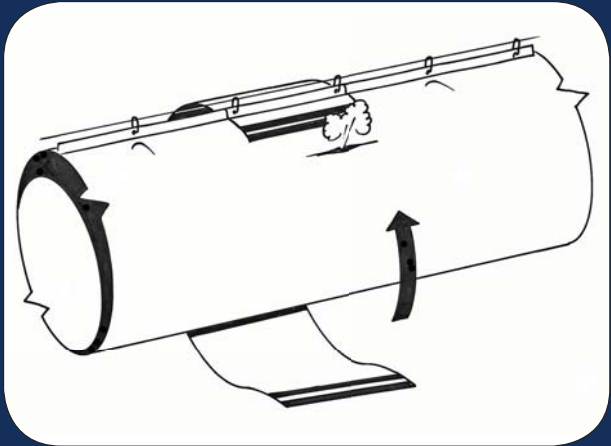








Temporary Repair



Cleaning



VENTIFLEX



PROTAN

Protan AS Ventiflex
P.O Box 420, Brakerøya,
N-3002 Drammen,
Norway
Phone: +47 32 22 16 00
Fax: +47 32 22 17 00
www.protan.com

Made by: www.lbrdk.no